



User's Manual

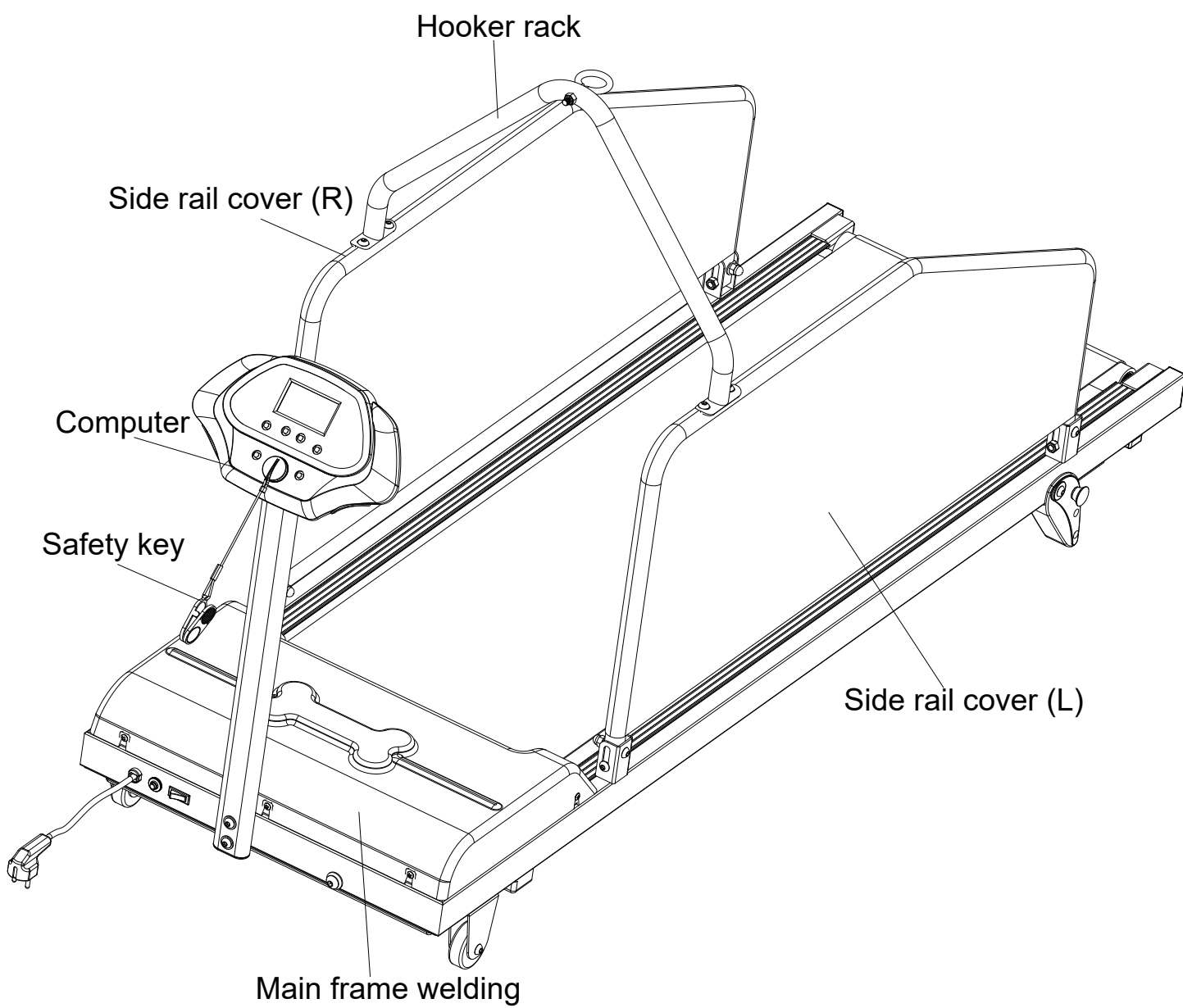
TRACKS



THE SPECIFICATIONS OF THIS PRODUCT MAY VARY FROM THIS PHOTO
AND ARE SUBJECT TO CHANGE WITHOUT NOTICE.
FOR MAXIMUM EFFECTIVENESS AND SAFETY, PLEASE READ THIS
USER'S MANUAL BEFORE USING YOUR TREADMILL.

1. OVERVIEW DRAWING	2
2. IMPORTANT SAFETY INSTRUCTIONS	3
3. GROUNDING WIRES INSTRUCTIONS.....	4
4. PRE-ASSEMBLY CHECK LIST	5
5. ASSEMBLY STEPS	6
6. EMERGENCY STOP SYSTEM	8
7. MAINTENANCE	9
8. COMPUTER OPERATION INSTRUCTIONS	10
9. EXPLODED VIEW	14
10. PARTS LIST	15

OVERVIEW DRAWING



Before using this treadmill, basic precautions should always be followed, including the following:

- To ensure user safety and protect the unit, read all the instructions before assembling and using the treadmill.



WARNING:

- Do not use this product outdoors, near swimming pools or in damp, wet locations.
- Assemble and operate the treadmill on a solid, level surface. Provide the following clearances: 1 m (3 feet) at each side, 2 m (6 feet) at the back. Be sure the treadmill is clear of any obstructions, including walls, furniture and other hard surface. Place a protective sheet below the treadmill to protect the floor or carpet from possible damage. Check the treadmill before each use and verify that all fasteners are secure.
- To reduce the risk of electrical shock, always unplug this treadmill from the electrical outlet immediately after using it and before cleaning, attempting any maintenance tasks or before removing the treadmill.
- Do not adjust the running belt when dog is standing on the treadmill.
- Keep the power cord away from heated surface and sharp edges.
- Never operate this treadmill if it has a damaged power cord or plug, if it is not working properly, if it has been damaged or dropped or if it has been submerged in water. In these cases, this treadmill should be examined by a qualified service technician.
- Do not modify or attempt any service on the treadmill yourself, seek trained repair personnel when servicing. Contact the nearest authorized dealer or other competent repair service.
- Connect this treadmill to a properly grounded outlet only. Improper connection of the power cord can result in a risk of electric shock. Check with a qualified electrician or serviceman if you are in doubt as to whether the treadmill is properly grounded. Do not modify the plug provided with the treadmill. If it will not fit in the outlet, have a proper outlet installed by a qualified electrician.
- Do not use the treadmill in areas where aerosol spray products are being used or where oxygen is being administered. Such substances create the danger of combustion and explosion.
- Do not use the treadmill if user exceed 70kgs. (155lbs). This is the rated maximum user weight.
- Keep the running belt clean and dry all times.
- Be sure the power cord has plenty of slack and does not get pinched underneath the treadmill when it elevates and declines.
- Do not leave the treadmill unattended when plugged in and running. After turning off the treadmill, don't leave it until it comes to a complete stop and is level. To disconnect, turn all controls to the STOP or OFF position, and then remove the plug from the outlet.

Note: Read all instructions and save for future use.

GROUNDING WIRES INSTRUCTIONS

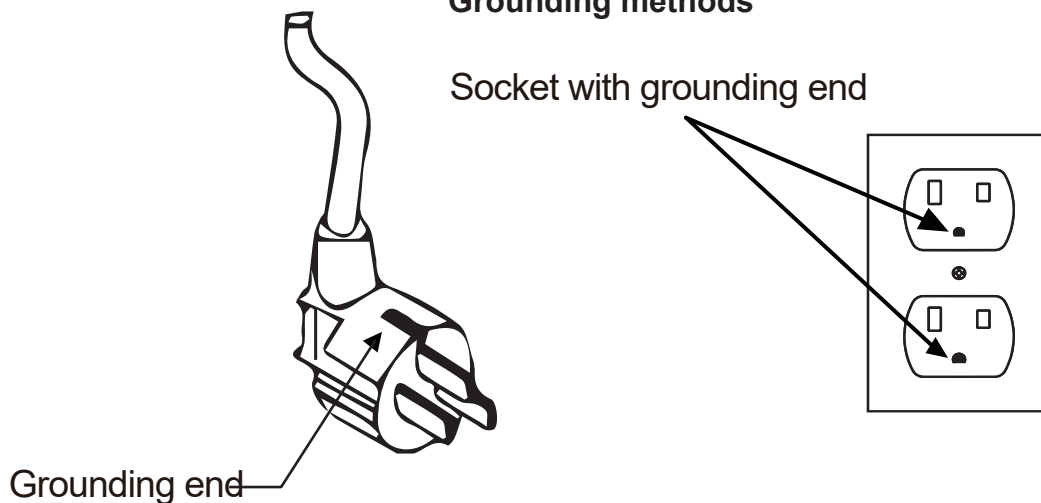
The treadmill needs special power supply:

Power supply voltage (V)	Frequency (HZ)	Rated current (A)
100	50/60	18
120	50/60	18
200	50/60	9
220	50/60	9
230	50/60	9
240+	50/60	9

DANGER!

Wirings follow the local country electrical regulations, high voltage, low voltage wires, and grounding wires must be separately transported and can't connect with or twist other wires. The product must be grounded to prevent electric shock, but improperly connect grounding device of treadmill can also lead to electric shock. If you are not sure whether the grounding device has been properly connected, you can consult the electrician or service personnel. If the plug is not suitable for the power supply socket, please do not replace the plug provided with the product, please ask professional electrician for installation.

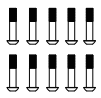
Figure
Grounding methods



PRE-ASSEMBLY CHECK LIST

No.	Description	Q'ty
A	Main frame welding	1
B	Hooker rack	1
C	Computer tube welding	1
D	Computer	1
E	Safety key	1
F	L shaped Hex Wrench	1
G	Cross wrench tool	1
H	Silicon oil	1

No.	Description	Q'ty
a	Hex screw	10
b	Cap nut	4
c	Truss phillips self tapping screw	2
d	Curved washer	8
e	Nylock	4
f	Washer	2



a



b



c



d



e



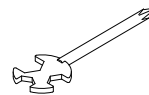
f



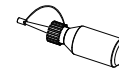
E



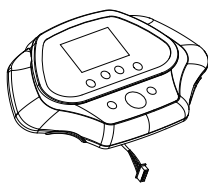
F



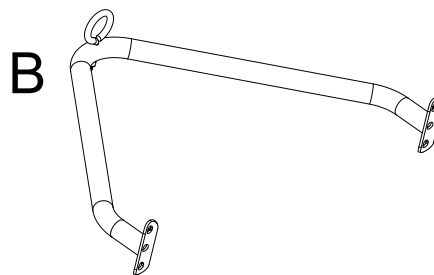
G



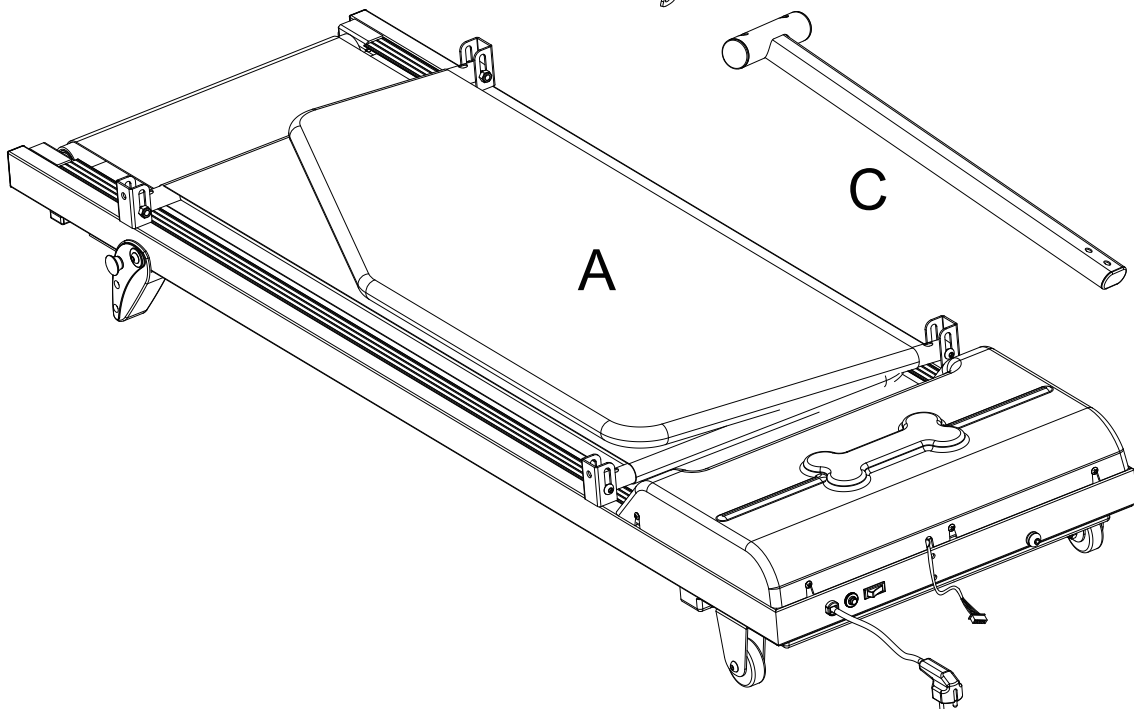
H



D



B

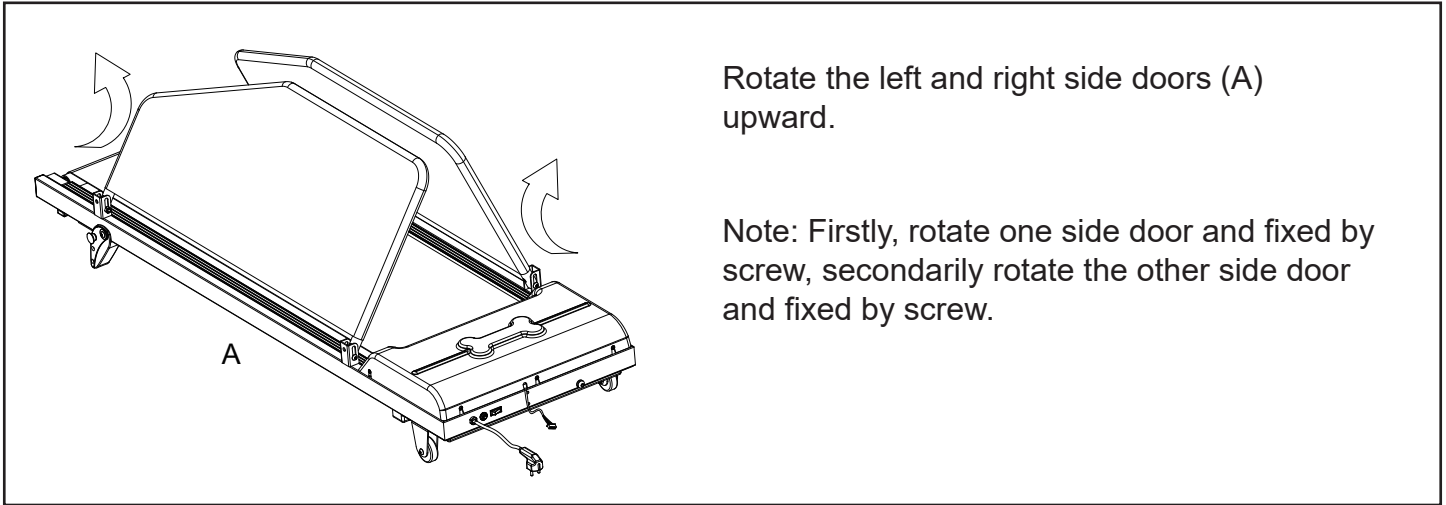


A

C

ASSEMBLY STEPS

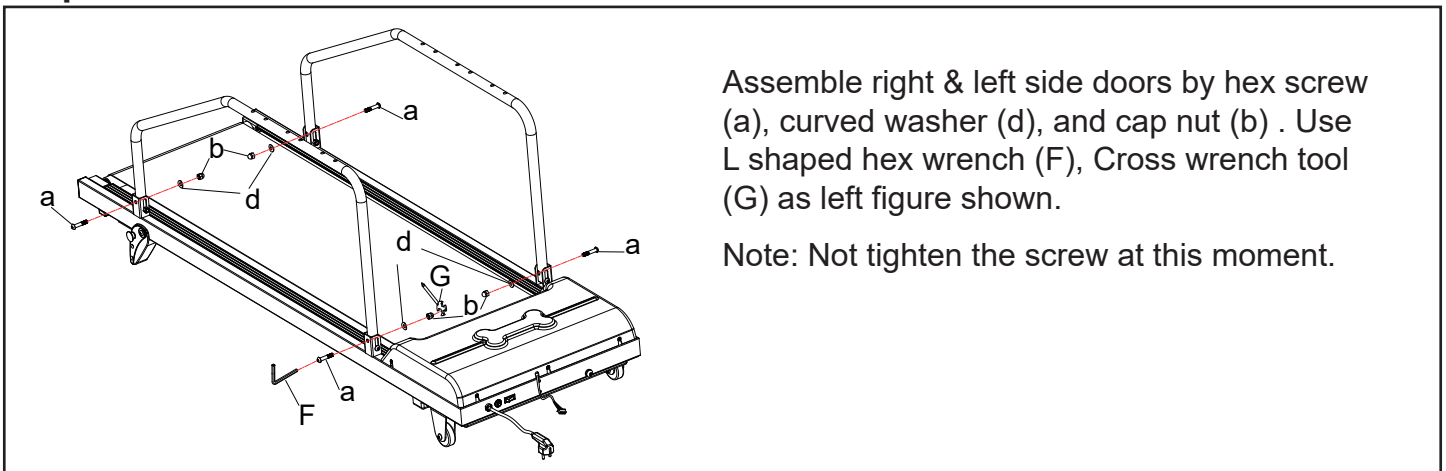
Step 1.



Rotate the left and right side doors (A) upward.

Note: Firstly, rotate one side door and fixed by screw, secondarily rotate the other side door and fixed by screw.

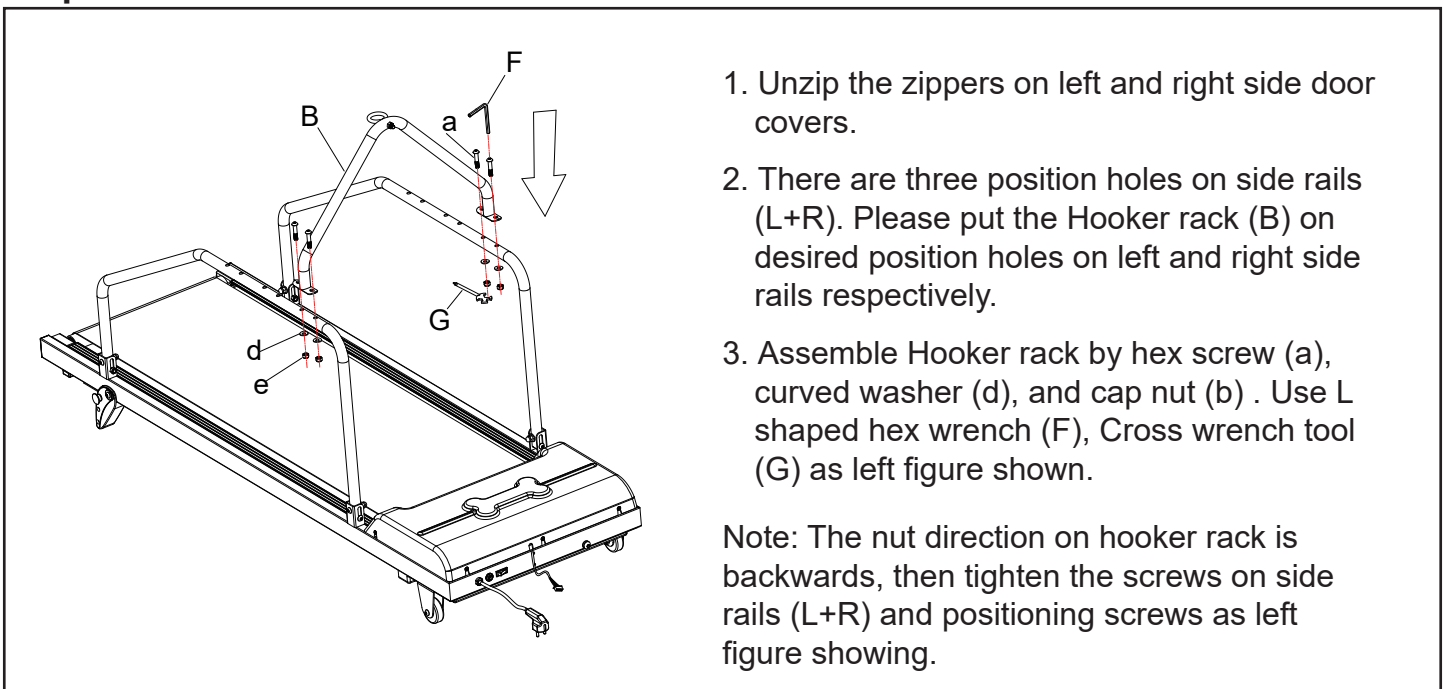
Step 2.



Assemble right & left side doors by hex screw (a), curved washer (d), and cap nut (b) . Use L shaped hex wrench (F), Cross wrench tool (G) as left figure shown.

Note: Not tighten the screw at this moment.

Step 3.



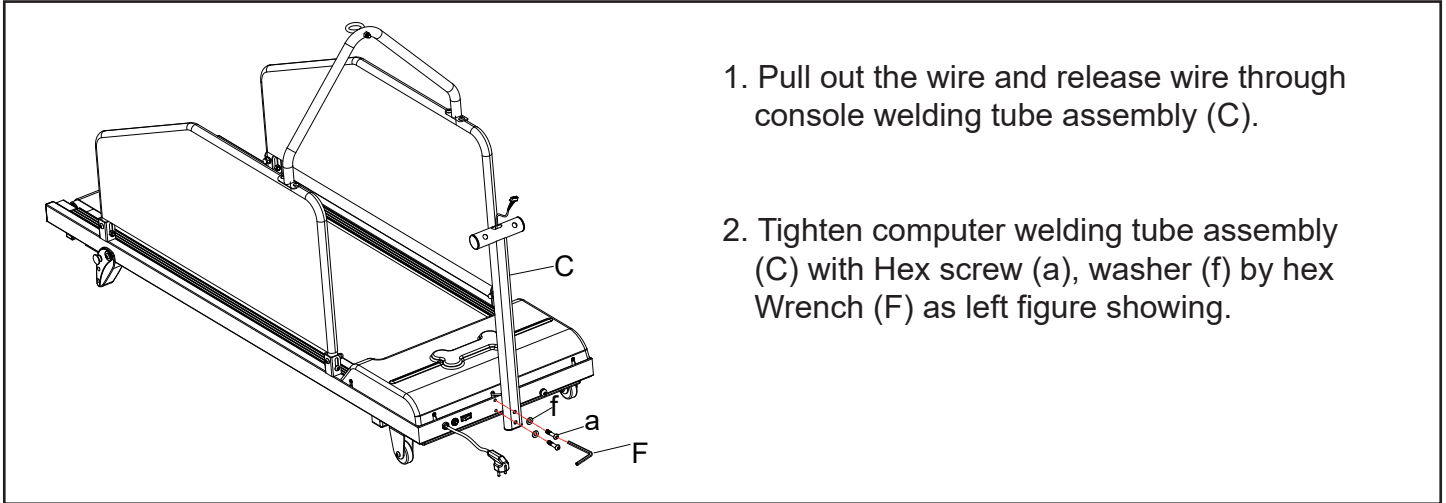
1. Unzip the zippers on left and right side door covers.

2. There are three position holes on side rails (L+R). Please put the Hooker rack (B) on desired position holes on left and right side rails respectively.

3. Assemble Hooker rack by hex screw (a), curved washer (d), and cap nut (b) . Use L shaped hex wrench (F), Cross wrench tool (G) as left figure shown.

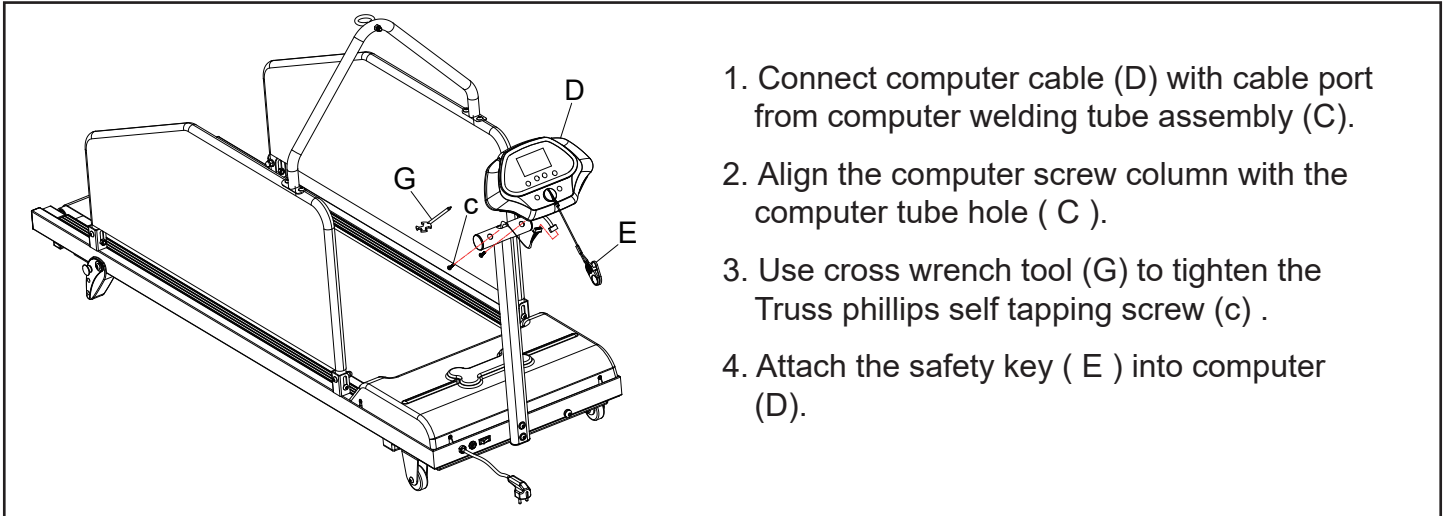
Note: The nut direction on hooker rack is backwards, then tighten the screws on side rails (L+R) and positioning screws as left figure showing.

Step 4.



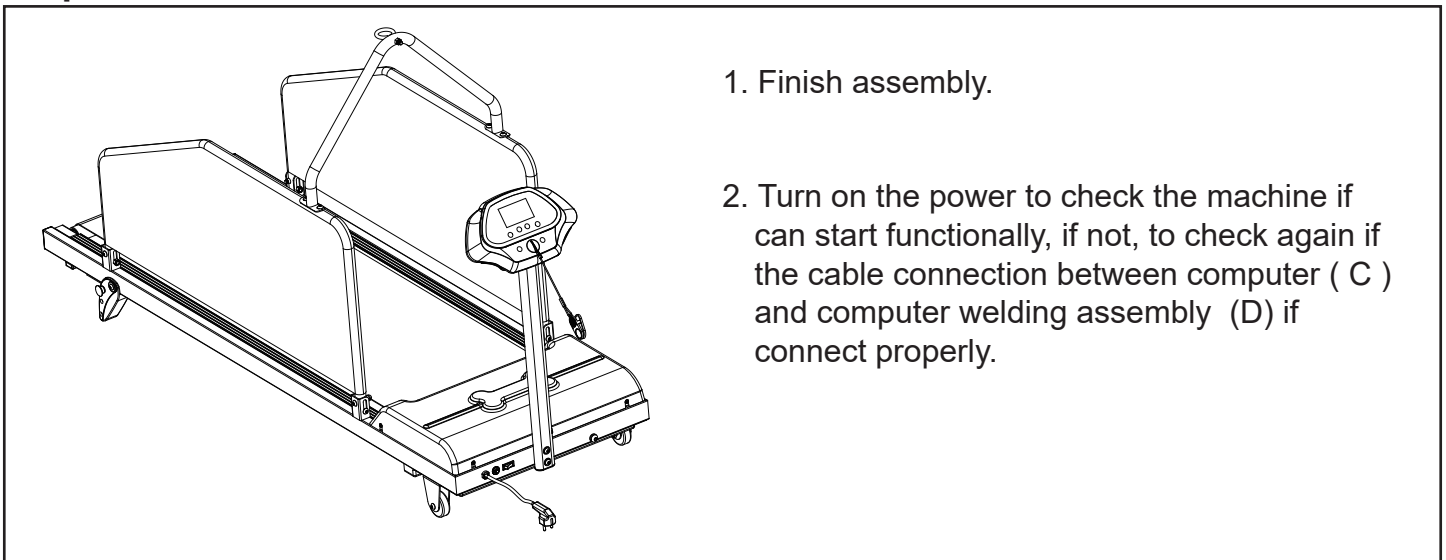
1. Pull out the wire and release wire through console welding tube assembly (C).
2. Tighten computer welding tube assembly (C) with Hex screw (a), washer (f) by hex Wrench (F) as left figure showing.

Step 5.



1. Connect computer cable (D) with cable port from computer welding tube assembly (C).
2. Align the computer screw column with the computer tube hole (C).
3. Use cross wrench tool (G) to tighten the Truss phillips self tapping screw (c) .
4. Attach the safety key (E) into computer (D).

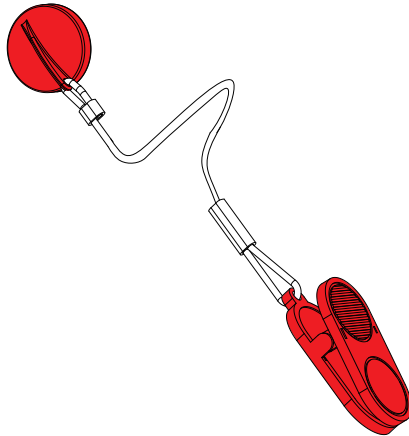
Step 6.



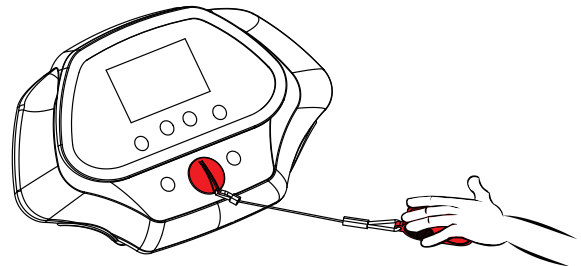
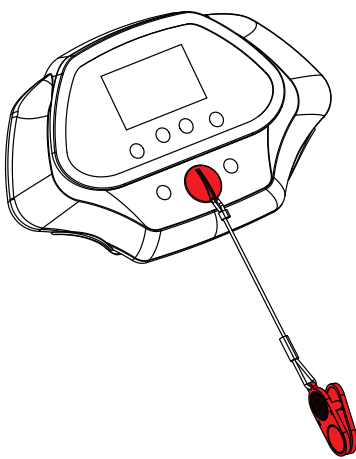
1. Finish assembly.
2. Turn on the power to check the machine if can start functionally, if not, to check again if the cable connection between computer (C) and computer welding assembly (D) if connect properly.

EMERGENCY STOP SYSTEM

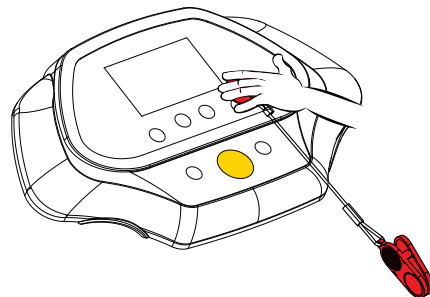
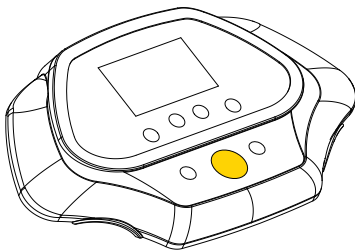
This treadmill is equipped with safety system. The safety key shown as below drawing, a cord connects the security clip to the red STOP key on computer. User must attach the security clip to your dog's harness before to begin any workout.



Emergently stop treadmill by pulling the cord to suspend the operation.



To continue operation, please reinsert the safety key into the computer.

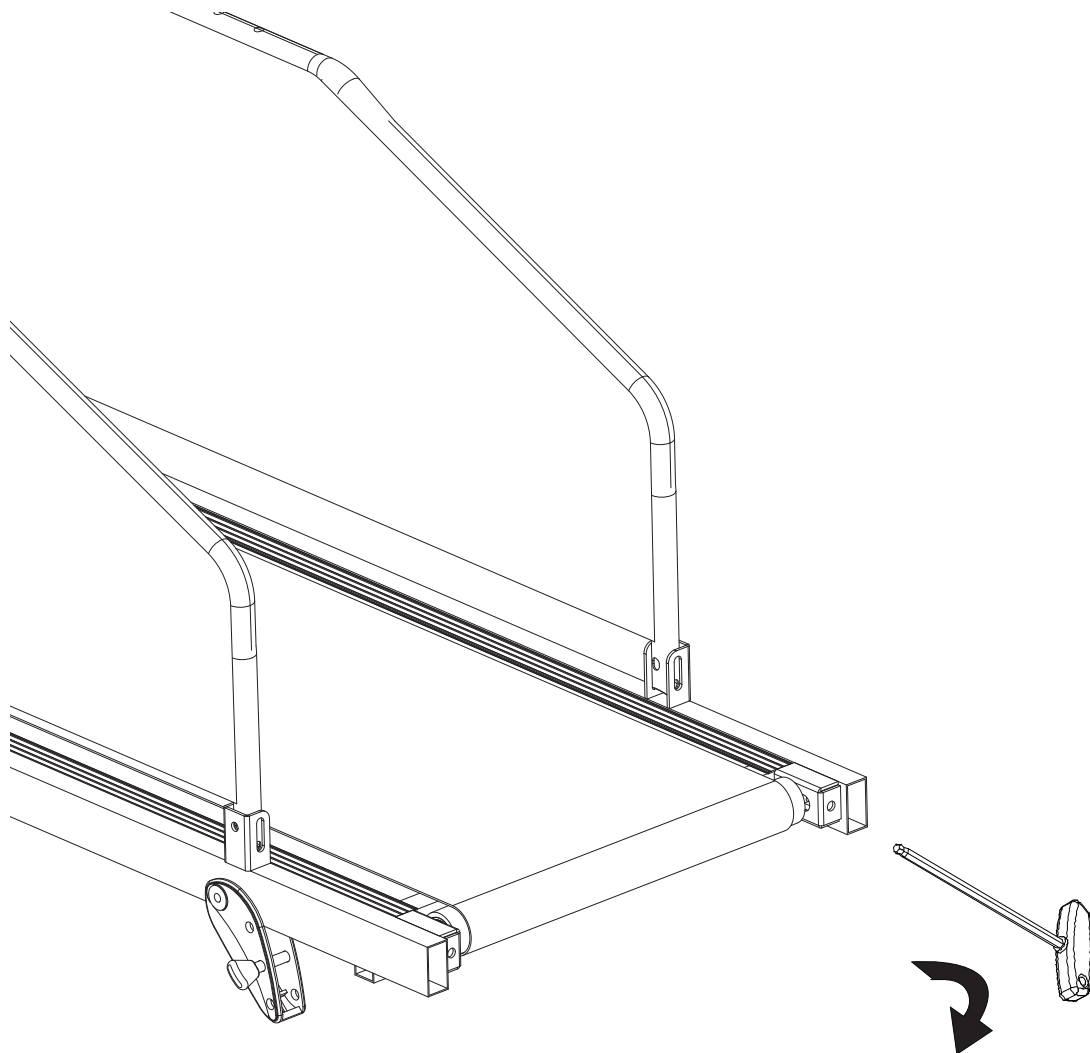


Running Belt Adjustment

If the running belt is not in the center, stop the treadmill then adjust the Hex Screw in the Rear End Cap by the Hex Wrench. For example, if the running belt is moving towards the left side, turn the left Hex Screw about 1/4 circle (clockwise). If the running belt is moving towards the right side, turn the right Hex Screw about 1/4 circle (clockwise). Turn on the treadmill after it has been adjusted. If you find that the belt does not move to the proper position, please repeat above steps. Do not use the treadmill until the running belt returns to the center position.

(Ps.1. This action is very important, if the belt is not in the center, be sure to follow above steps.)

(Ps.2. The position of the running belt might not stay precisely in the center with slightly towards the left or right side, and the situation varies with how end-users use and the weight of end-users. No need to adjust the belt if it does not rub against the parts aside.)





1. COMPUTER DISPLAY DESCRIPTION:

1.1 SPEED

1.1.1 MAX SPEED : 14.0KMH

1.1.2 MIN SPEED: 0.8KMH ◦

1.1.3 Display function

1.1.3.1 Exercise mode: Display current exercise speed value

1.1.3.2 Setting mode: 0.8 KM/H - 14.0 KM/H

1.1.3.3 Version display: Turn on power and start the machine, attach safety key, computer display all read outs, speed read out shows software version No.

1.2 DISTANCE

1.2.1 In exercising mode : display range 0.0 – 999 (KM), over 999 will return to ZERO to start new countdown. DIS icon will flash.

1.2.2 In setting mode: Setting range 1.0 – 999 KM/MIL, adjustment step 1.0 KM/MIL per time, DIS icon will flash when set countdown mode.

1.2.3 In exercising mode: DISTANCE read out display range 0-999, only display round number, over 1000 will retrun to ZERO to start new countdown.

1.3 TIME

- 1.3.1 In exercising mode: TIME read out display range 0:00 – 99:59 (Minutes: Second) , over 99:59 will retrain to ZERO to start new countdown.
- 1.3.2 In setting mode: Setting range 5:00 – 99:00, set stepping 1.00 ,TIME icon will flash when set countdown mode.

1.4 CALORIES

- 1.4.1 In exercising mode: CALORIES read out display range 0-999, over 99:59 will retrain to ZERO to start new countdown, CAL ICON will flash.
- 1.4.2 In setting mode: Setting range 5:00 – 99:00, set stepping 1.00, TIME icon will flash when set countdown mode.

2. Computer Operation Instruction :

2.1 Operation Instruction – Power on display -

- 2.1.1 After turn on machine without putting on safety key, all data display as “- - -” beeper makes “beep” sound.
- 2.1.2 After put on safety-key, SPEED window display shows “Version No.”, other window display with flash for 1 second, then all data display resume to ZERO.
- 2.1.3 Turn on machine display: recognize program, under countdown mode, press “START” button, widow display shows 3 – 2 – 1 with beep to count down then machine starts.

2.2 Button Functions:

- 2.2.1 START - At the time of treadmill stand-by mode, Program mode and Time countdown mode, press the START button, console displays set speed. Treadmill starts after countdown for 3 seconds.

STOP - During treadmill running when press STOP button, the treadmill will decrease speed until stop. After machine stop completely, the treadmill returns to stand-by mode and all workout data return to zero.
- 2.2.2 PROGRAM button - Under stand-by condition, this button can alternatively choose manual mode or Pre-set program. Pre-set programs have P01 – P04.
 - 2.2.2.1 Default time countdown mode: TIME window display “30 :00” and flash, Use “SPEED” button +/- to adjust time setting, range: 5:00-99:00, each adjustment: 1:00.
 - 2.2.2.2 Each program running to finish, machine will stop gradually, TIME window display END,O, beep sound with flash for 10 seconds, then all data return to ZERO and resume to stand-by condition.

2.2.2.3 Program Table:

4 Pre-set programs P01-P04 as following listed. Each pre-set program has 10 different segments with varied speed and time for each segment as below illustrated.

		1	2	3	4	5	6	7	8	9	10
P01	Speed	4	6	8	10	12	12	10	8	6	4
P02	Speed	6	8	10	12	13	13	12	10	8	6
P03	Speed	8	10	11	12	13	13	12	11	10	8
P04	Speed	User setting program – can customized program for speed and incline can be saved.									

2.2.3 MODE button - Under stand-by condition, press this button can alternatively choose manual mode to time countdown mode, distance countdown mode, calories countdown mode.

2.2.3.1 In time countdown mode, default time is 30:00 (minute), user can use “SPEED” button +/- to adjust target workout time. Time countdown range: 5:00-99:00, each adjustment is 1:00, default starting speed is at : 0.8 km/h.

2.2.3.2 In distance countdown mode, default distance is 1.0 (km), user can use “SPEED” button +/- to adjust target workout distance. Distance countdown range is : 1:00-999, each adjustment is 1:00, default starting speed is at : 0.8 km/h.

2.2.3.3 In calories countdown mode, default calories is 50 (kcal), user can use “SPEED” button +/- to adjust target workout calories. Calories countdown range is : 20-990, each adjustment is 20, default starting speed is at : 0.8 km/h..

2.2.4 SPEED +/- button - After starting machine, can use for adjusting speed, each adjustment is 0.1km, if press the button after more than 2 seconds, will continuously increase speed or decrease speed.

2.3 Computer Instructions:

2.4.1 Computer display descriptions:

2.4.2 Display function:

2.4.2.1 Speed: Display current exercise speed value.

2.4.2.2 Time display: Shows the running time in manual mode or the countdown of running time in countdown mode.

2.4.2.3 Distance display: Shows the accumulated distance under manual or program mode, or the countdown of distance in running mode.

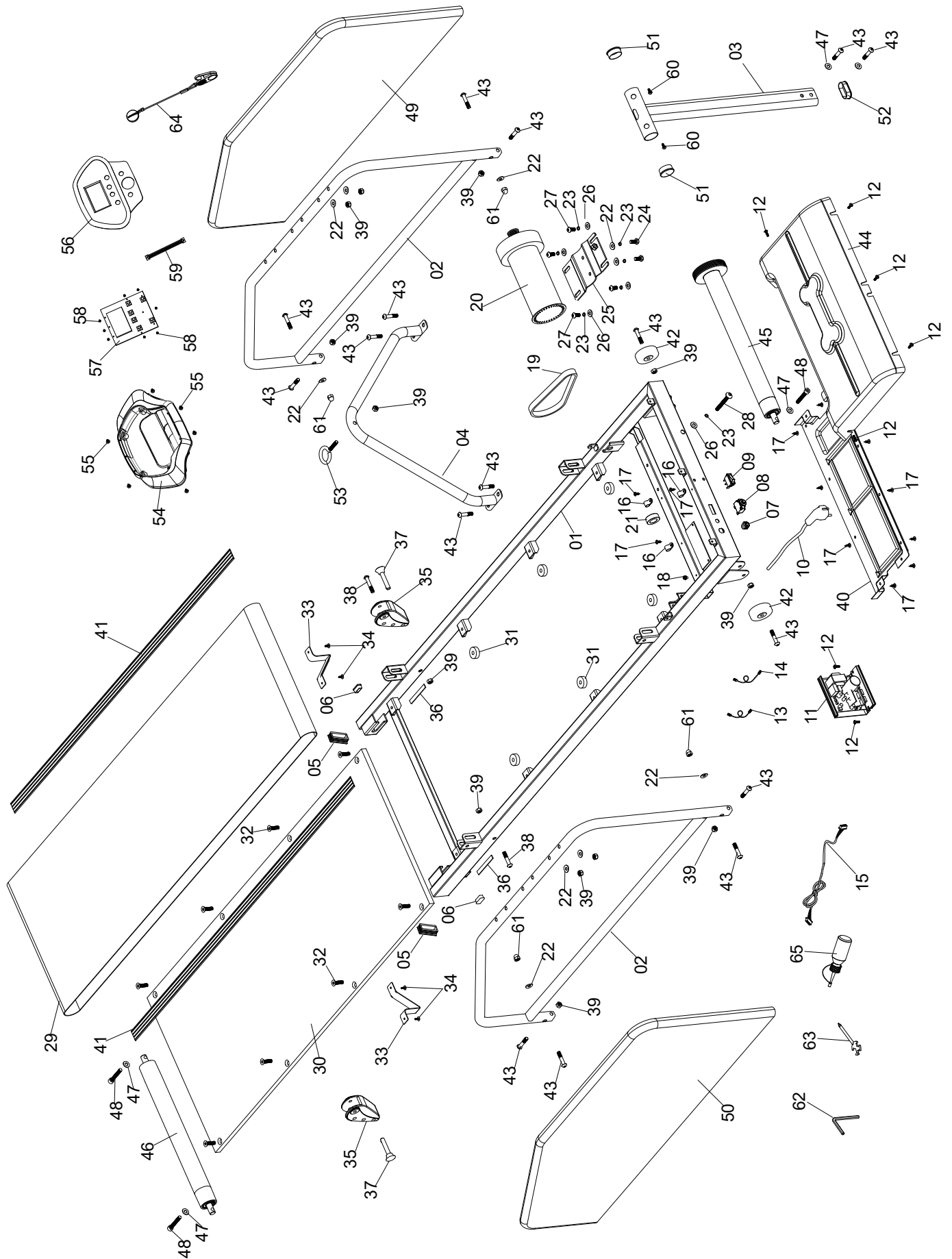
2.4.2.4 Calorie display: Shows calories accumulated during exercise in manual and program modes, or countdown of calories in running mode.

2.4.2.5 Computer Window Topic and Display Range:

Window Topic	Display Range
SPEED	1) Min 0.8-Max 14.0 (KPH), adjustment step 0.1/ per time. 2) Will show version no. right after power on.
DISTANCE	1) In exercising mode: 0.0-999 (KM). 2) In setting mode: 1.0-999 (KM), adjustment step 1 km/ per time.
TIME	1) In exercising mode: 0:00-99:59 (Minute:Second), 2) In setting mode: 5:00-99:00 (Minute:Second), adjustment step 1 min/ per time
CALORIES	1) In exercising mode: 0-999 (CAL) 2) In setting mode: 20-990, adjustment step 10 cal/ per time

2.4.3 Increase speed: 0.5 KM/S, decrease speed: 0.5KM/S.

EXPLODED VIEW



PARTS LIST

No.	Description	Q'TY	Spec.
01	Main frame welding	1	SGP2XA00
02	Metal guard rails	2	B00SGP2X
03	Console welding tube assembly	1	C00SGP2X
04	Hooker rack	1	D00SGP2X
05	Square end cap	2	PP502515
06	Square end cap	2	PP132612
07	Power cord retaining ring	1	PL6P-4
08	Overload switch	1	FL2-6A
09	I/O switch	1	FK5
10	Power cord	1	FD22100
11	Controller	1	F900135-220V
12	Truss phillips screw	7	M5*15
13	Single cable	1	FD16100R
14	Single cable	1	FD16200R
15	Control cable-lower	1	FKX7804P
16	Retaining ring	3	PY105mm
17	Washer phillips drilling screw	15	Φ4*16
18	Truss phillips & internal tooth screw	1	M5*8
19	Drive belt	1	PD200J7
20	Motor	1	FMDSGP2X
21	Ferrite core	1	FC311913
22	Curved washer	10	Φ8 ×Φ19 × 1.5T
23	Spring washer	7	Φ8X1.5T
24	Hex screw	2	M8X12
25	Motor fixing plate	1	MD1000A
26	Washer	5	Φ8.5*Φ23*1.5t
27	Truss hex screw	4	M8X15
28	Truss hex screw	1	M8*65
29	Running belt	1	400279514P
30	Running board	1	WP121048015
31	Rubber cushion	6	PY93010
32	Flat hex screw	8	M8*25

No.	Description	Q'TY	Spec.
33	Belt blocking sheet	2	NZ1155425
34	Washer phillips self tapping screw	4	Φ4*12
35	Manual Incline base	2	PS1426339
36	EVA pad	2	80X20X4.0t
37	Pop pin knob	2	SCM1050
38	Truss hex screw	2	M8*50*15mm
39	Nylock	4	Φ4*12
40	Lower motor cover	2	PS1426339
41	Footrail	2	80X20X4.0t
42	Transportation wheel	2	SCM1050
43	Truss hex screw	8	M8*50*15mm
44	Motor cover	2	M8XP1.25
45	Front roller	1	PMDXSGP2X
46	Rear roller	1	PB123730
47	Washer	3	PY602085
48	Socket hex screw	1	M8*40*15mm
49	Side rail cover (L)	4	PMDSGP2X
50	Side rail cover (R)	2	NQGSGP2X
51	Flat round end cap	2	NQHSGP2X
52	Flat oval end cap	1	Φ8.5*Φ18*1.5t
53	Front Rack hooker	1	M8*1.25*55
54	Computer upper cover	1	WBSGP2X-L
55	Truss phillips self tapping screw	6	WBSGP2X-R
56	Inner computer cover	1	PPY3815
57	Upper control board + Control box key board	1	PPT255015
58	Round phillips self tapping screw	8	SW8746M8
59	Control cable-upper	1	PDSGP01-S
60	Truss phillips self tapping screw	2	Φ4*12L
61	Cap nut	4	PDSGP01-L
62	L shaped Hex Wrench	1	LCD3.5SGP01
63	Cross wrench tool	1	Φ2.3*6L
64	Safety key	1	FKS1504PIN
65	Silicon oil	1	Φ4*25L



ORIGINAL PRODUCT OF DOG RUNNER INTERNATIONAL
- Designed in Belgium - Europe -